

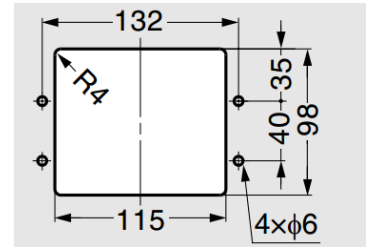
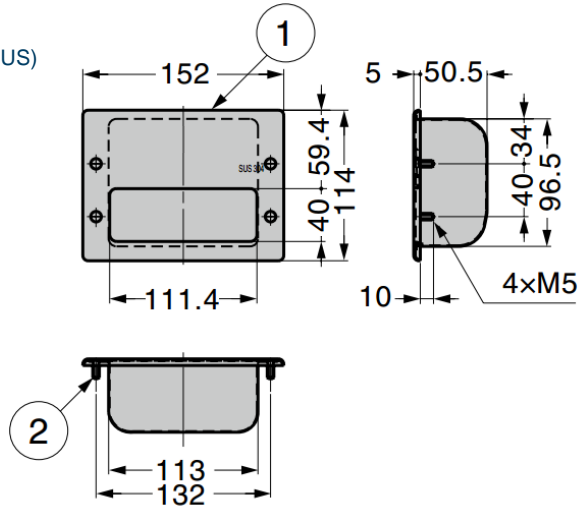
## GHH-KP150 Stainless Steel Recessed Handle

### Features

- All-metal material suitable for equipment with electromagnetic shielding requirements
- Compliant with SEMI standard (SEMI S8-0600)

### Parts Included

- M5 hexagon nut (SUS)



<b>Part No.</b>
GHH-KP150

No.	Part Name	Material	Finish
①	Body	Stainless Steel (SUS304)	Satin
②	Thread Part	Steel	Copper Plating

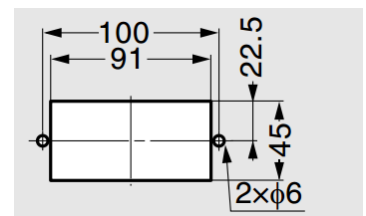
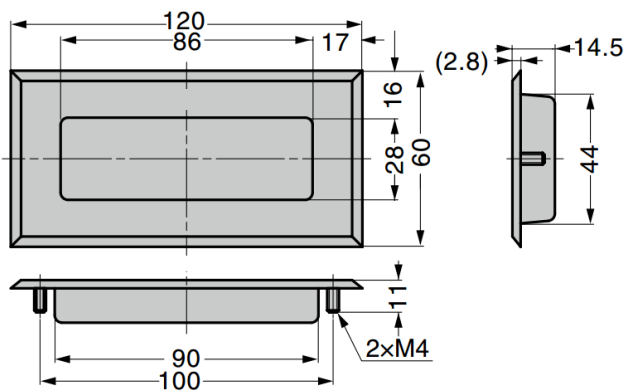
## GHH-AS2-TI Titanium Recessed Handle

### Features

- Ideal for applications with light weight and rust resistance requirements
- Titanium pull handle hardly causes metal allergy
- Titanium mounting screws also available

### Material

- Titanium, blast finish



<b>Part No.</b>
GHH-AS2-TI